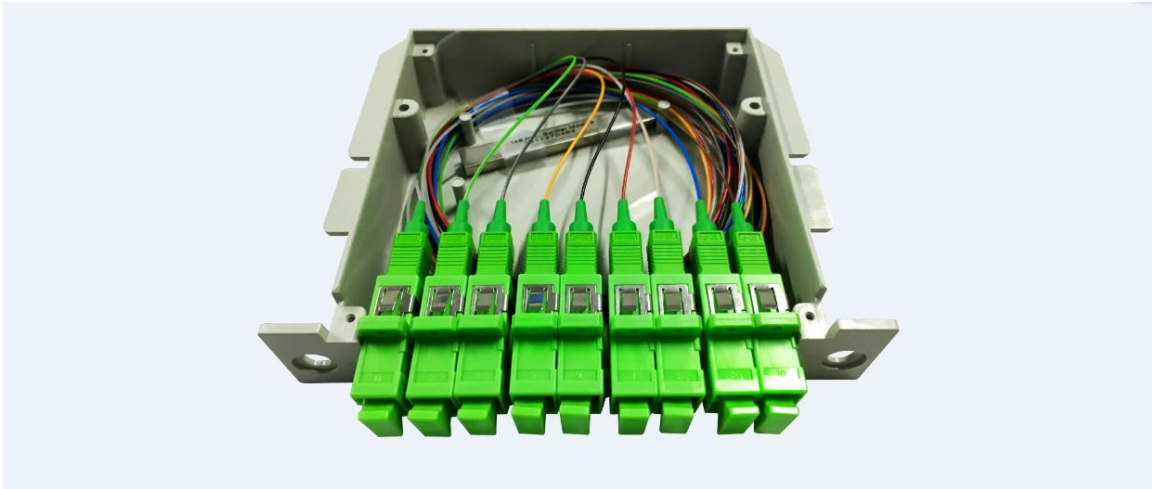


PLC Cardfile



Product description:

PLC Cardfile Made of ABS material , You can install the splitter, support a variety of spectra, 1X2,1X4, 1X8PLC splitter etc., according to various types of interfaces, select adapter.

Application:

- ★. Telecommunications subscriber loop
- ★. Fiber to the home (FTTH)
- ★. LAN/WAN
- ★. CATV
- ★.Other applictaions in fiber optic systems

Features:

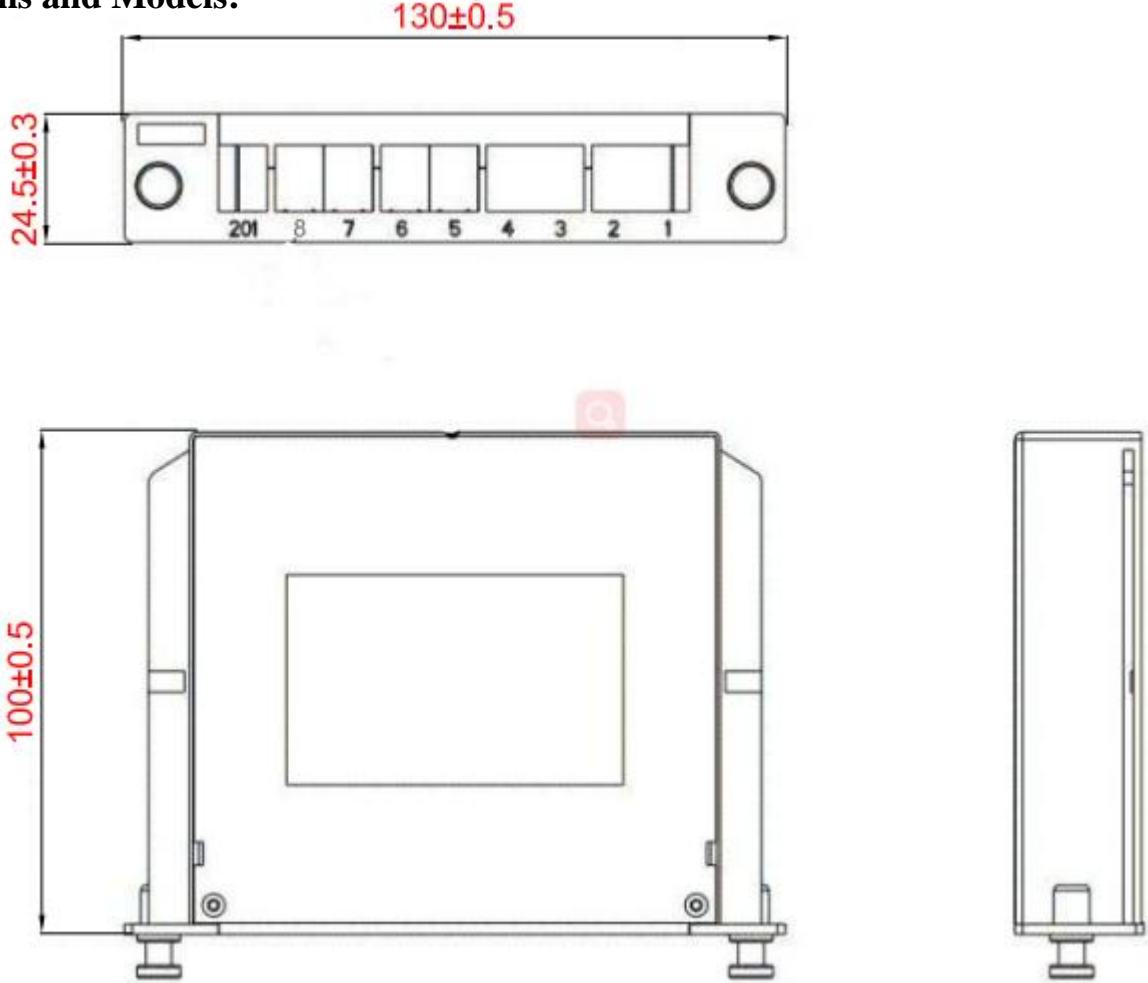
- ⊗ Standard size, light weight and reasonable structure.
- ⊗ Compact design for space saving.
- ⊗ Front mark on the plate is easy for identification and operation.
- ⊗ Easy for management and operation.
- ⊗ Low Insertion loss and Low PDL.
- ⊗ Uniform power splitting.
- ⊗ High reliability.
- ⊗ Excellent environmental stability.

Mechanical and environmental characteristics:

Projects	Parameter
Operating temperature	-25℃~+40℃
Storage temperature	-25℃~+55℃
Relative humidity	≤85%(+30℃)
Color	Grey

Dimension(LxWxH)	130mmx 100mmx25mm
------------------	-------------------

Specifications and Models:



1xN PLC Splitter((Room temperature, including connector loss)

type		1×2	1×4	1×8	1×16	1×32	1×64
Operating Wavelength (nm)		1260-1650					
Insertion loss (dB)	Max	4.1	7.5	10.7	13.9	17.2	20.6
Loss uniformity (dB)	Max	0.5	0.6	0.8	1	1.5	2
Return Loss (dB)		≥50	≥50	≥50	≥50	≥50	≥50
Polarization Dependent Loss (dB)	Max	0.2	0.2	0.3	0.3	0.3	0.4
Directivity (dB)		≥55	≥55	≥55	≥55	≥55	≥55
Fiber Type		Corning smf-28e or customer designation					
Wavelength Dependent Loss (dB)	Max	0.6	0.6	0.6	0.8	0.8	0.8
Temperature correlation loss-40~85℃ (dB)	Typical value	0.3	0.3	0.3	0.4	0.4	0.4
	Max	0.5	0.5	0.5	0.5	0.5	0.5
Working Temperature (℃)		-40~85℃					



Storage Temperature (°C)

-40~85°C